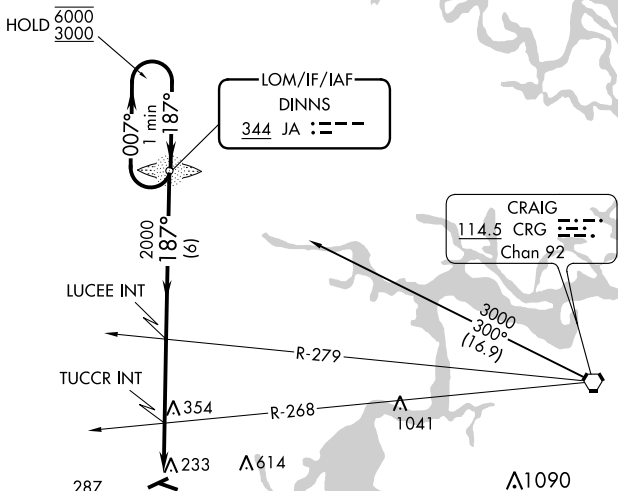


LOM JA <b>344</b>	APP CRS <b>187°</b>	Rwy Idg TDZE Apt Elev	<b>N/A</b> <b>N/A</b> <b>86</b>
----------------------	------------------------	-----------------------------	---------------------------------------

**NDB-A**  
HERLONG RECREATIONAL (HE'G)

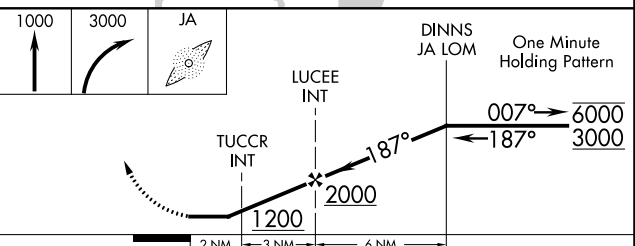
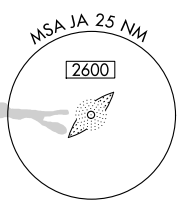
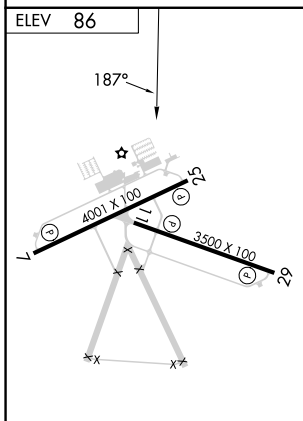
**⚠** Circling to Rwy 11, 29 NA at night. Rwy 7, 11, 25 helicopter visibility reduction below 3/4 SM NA. **MISSED APPROACH:** Climb to 1000 then climbing right turn to 3000 direct JA LOM and hold.

AWOS-3 <b>119.275</b>	JACKSONVILLE APP CON <b>127.775 377.075</b>	GCO <b>121.725</b>	UNICOM <b>123.0 (CTAF) 0</b>
--------------------------	--	-----------------------	---------------------------------



SE-3, 22 FEB 2024 to 21 MAR 2024

SE-3, 22 FEB 2024 to 21 MAR 2024



MIRL Rwy 7-25 and 11-29 0

FAF to MAP 5 NM					
Knots	60	90	120	150	180
Min:Sec	5:00	3:20	2:30	2:00	1:40

CATEGORY	A	B	C	D
<b>CIRCLING</b>	720-1	634 (700-1)	980-2 <sup>3</sup> / <sub>4</sub> 894 (900-2 <sup>3</sup> / <sub>4</sub> )	980-3 894 (900-3)

WAAS CH <b>63026</b> <b>W25A</b>	APP CRS <b>251°</b>	Rwy Idg TDZE Apt Elev	<b>4001</b> <b>86</b> <b>86</b>
--	------------------------	-----------------------------	---------------------------------------

# RNAV (GPS) RWY 25

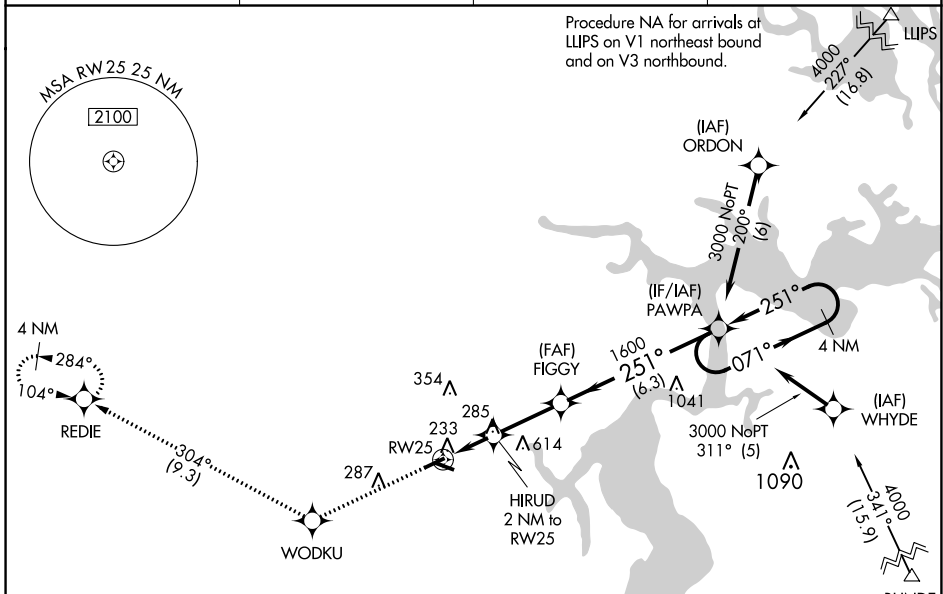
HERLONG RECREATIONAL (HEG)

**⚠** Baro-VNAV NA when using Cecil altimeter setting. For uncompensated Baro-VNAV systems, procedure NA below -15°C (5°F) or above 54°C (130°F). DME/DME RNP-0.3 NA.

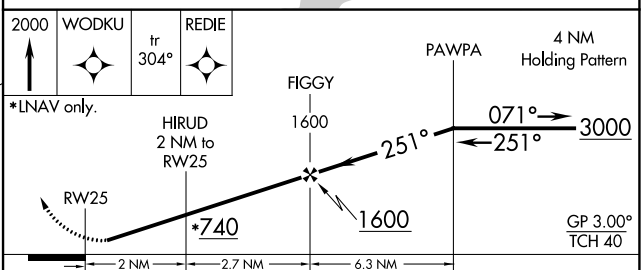
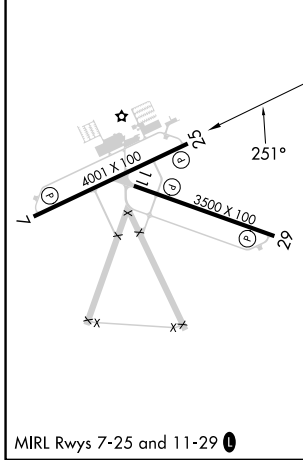
**⚠** NA When local altimeter setting not received, use Cecil altimeter setting: increase all DA 13 feet and all MDA 20 feet; increase LNAV Cat C and D visibility 1/8 mile. Procedure NA at night for Cat C/D aircraft. Night landing: Rwy 7, 11, 29 NA. Helicopter visibility reduction below 3/4 SM NA.

MISSED APPROACH: Climb to 2000 direct WODKU and on track 304° to REDIE and hold.

AWOS-3 <b>119.275</b>	JACKSONVILLE APP CON <b>127.775 377.075</b>	GCO <b>121.725</b>	UNICOM <b>123.0 (CTAF)</b>
--------------------------	--	-----------------------	-------------------------------



ELEV 86	TDZE 86
---------	---------



CATEGORY	A	B	C	D
LPV DA	378-1 292 (300-1)			
LNAV/VNAV DA	612-1 526 (600-1 1/8)			
LNAV MDA	600-1	514 (600-1)	600-1 3/8	514 (600-1 3/8)
<b>C</b> CIRCLING	600-1	514 (600-1)	980-2 3/4 894 (900-2 3/4)	980-3 894 (900-3)

SE-3, 22 FEB 2024 to 21 MAR 2024

SE-3, 22 FEB 2024 to 21 MAR 2024