

APP CRS	Rwy Idg	<b>3405</b>
<b>175°</b>	TDZE	<b>1489</b>
	Apt Elev	<b>1489</b>

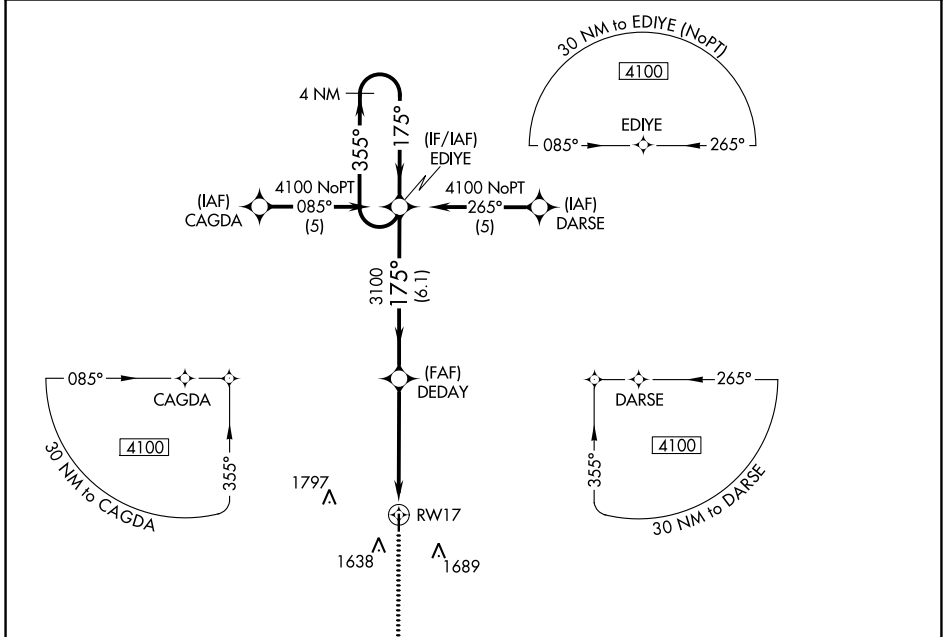
# RNAV (GPS) RWY 17

MOUNDRIDGE MUNI (47K)

**NA** GPS or RNP-0.3 required. DME/DME RNP-0.3 NA. Use McPherson altimeter setting. Procedure NA at night.

MISSED APPROACH: Climb to 4100 direct DINDE WP and hold.

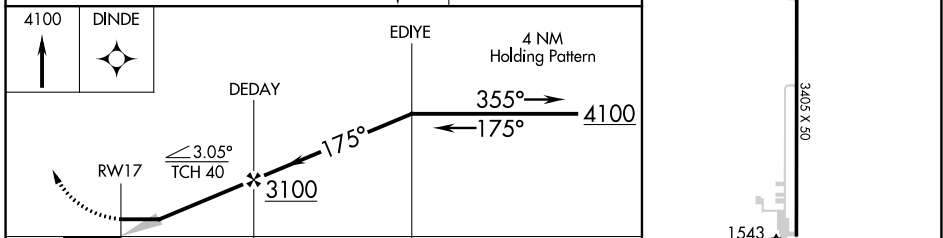
WICHITA APP CON	CTAF
<b>125.5 306.2</b>	<b>122.9</b>



NC-2, 22 FEB 2024 to 21 MAR 2024

NC-2, 22 FEB 2024 to 21 MAR 2024

MISSED APCH FIX DINDE	ELEV 1489	TDZE 1489
	175° to RWY 17	



CATEGORY	A	B	C	D
RNAV MDA	1940-1	451 (500-1)	NA	
CIRCLING	2020-1	531 (600-1)	NA	

LIRL Rwy 17-35